

TECHNICAL SPECIFICATIONS

- Pneumatic pot denester for round or square pots, from 8 to 22 cm.
- Complete drilling unit: punch diam. 30 mm and metal drills diam. 40 - 50 - 60 - 70 - 80 - 90 mm.
- Pot take off arm.
- Exit belt at fixed speed.
- Centralised adjustment.
- Peat hopper 700 l with bottom belt sliding on rollers.
- Kit nr. 2 wheels, diam. 305 mm.

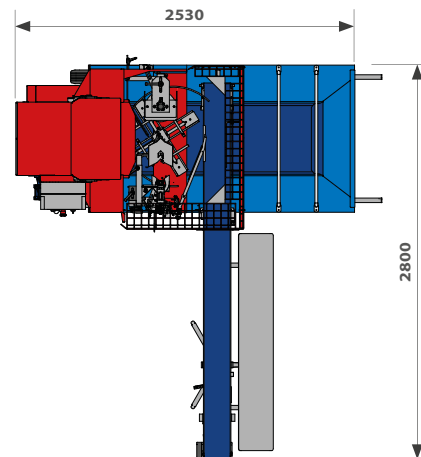
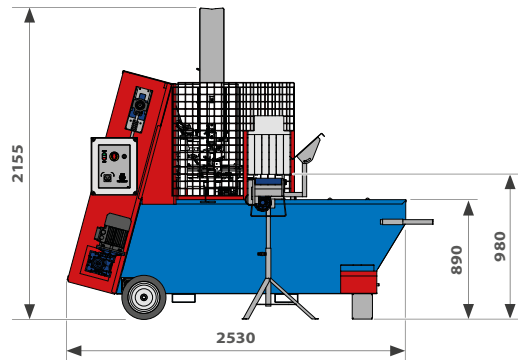
page 51

DETAILS

page 52-53

ACCESSORIES

36 37 39 40 41 42 43 44 45 46



MACHINE DESCRIPTION

Automatic potting machine IA2400 for round or square pots.

TECHNICAL DATA	M.U.	IA2400
HOPPER CAPACITY	l	700
HOURLY PRODUCTION (max)	pots/hour	2400
TRANSPLANTING BELT with trayholder	mm	2600
WEIGHT	kg	438
INSTALLED POWER	kW	1,5
AIR CONSUMPTION	l/min	135
WORKING HEIGHT	mm	980
WHEELS FOR TRANSPORT	n.	2



IA2400

POTTING MACHINE - up to 2400 pots/hour



URBINATI

Thanks to the **modularity of the design**, our potting machines **share common parts**.
The following pictures show **some of the most significant** details they share.

DETAILS

POTTING MACHINE

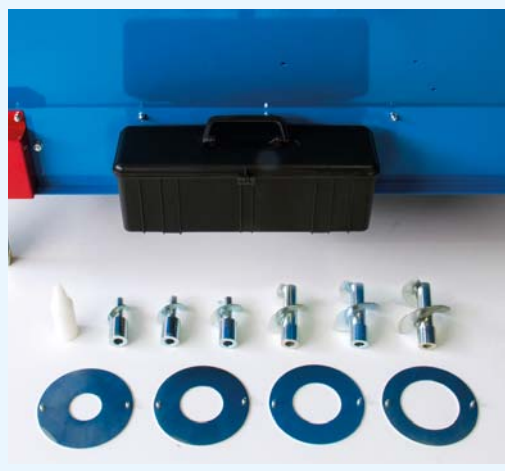


**Double head version for pot from diam. 8 to 14 cm:
up to 3500 pots/hour.**

AVAILABLE ON
IA2400, IA2500

Standard kit included:
punch diam. 30 mm
and **metal drills diam.**
40 - 50 - 60 - 70 - 80 - 90 mm.

Available also as accessories,
metal drills diam.
100 - 110 - 120 mm.



INCLUDED ON:
IA2400, IA2500



**Single head version:
up to 2400 pots/hour.**

INCLUDED ON:
IA2400, IA2500



ACCESSORIES

POTTING MACHINE



36

Feeding belt for empty pots.

AVAILABLE ON:
IA2400, IA2500



37

Rotating table to accumulate pots diameter 1000 mm.

AVAILABLE ON:
IA2400, IA2500



38

Longer chute to fill in the big pots and vibrating-rotating support.

AVAILABLE ON:
IM1800, IM2800



39

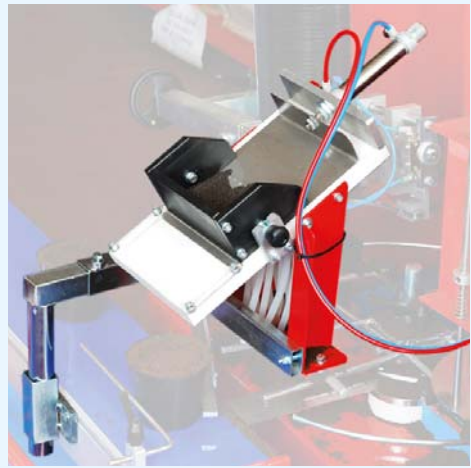
Peat hopper 1000 l (extention + 840 mm) with bulkhead and nr. 2 turning wheels.

AVAILABLE ON:
IA2400





These are **some of the accessories available** for our **potting machine**. Our **engineering dept.** is at your disposal **to suggest** the best solutions for your needs.



40 **Mechanical seeder for spread sowing** for aromatic plants. Assembled on the turntable.

AVAILABLE ON:
IA2400, IA2500



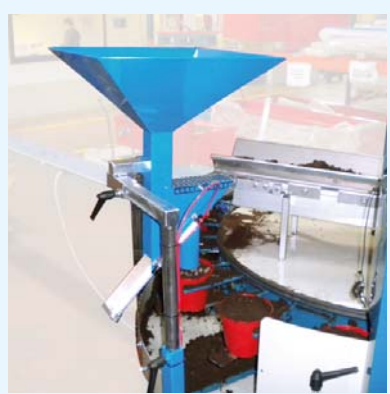
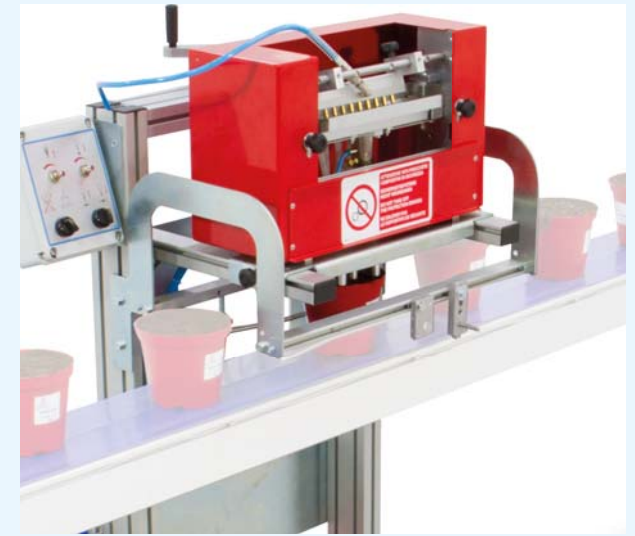
41 **Mechanical seeder** for aromatic plants, complete with electric panel, pot block and descent seed guided with tubes or spread.

AVAILABLE ON:
IA2400, IA2500

42

Pneumatic seeder for pots mod. SV, with descent seed guided with tubes or spread.

AVAILABLE ON:
IA2400, IA2500, or
*CONNECTED TO ANY
OTHER MACHINE*



43 **Mechanic seeder for big seeds.**

AVAILABLE ON:
IA2400, IA2500

44

Special denester for pots not easy to separate.

AVAILABLE ON:
IA2400, IA2500



45 **Drum coverer for vermiculite.**

AVAILABLE ON:
IA2400, IA2500



46 **Fertilizer batching plant** accessorized with tank 15 l.

AVAILABLE ON:
IA2400, IA2500

