



TEFEN Advanced Plastic Solutions.



MixRite[®] TF25

User's Manual



English
p.1-16

Espaniol
p.17-24

www.tefenplastic.com E-mail: info@tefenplastic.com



TEFEN Advanced Plastic Solutions.

Tefen MixRite TF 25 Fertilizer and Chemicals Injector

Congratulations on your purchase of one of Tefen's high quality products.

To get the best results from the MixRite TF-25 Proportioning Dosing Injector it is important to spend a few minutes reading carefully the explanations and recommendations in this users manual.

Operating princip

The proportioning dosing injector is fitted on the water line. The flow of water passing through the injector activates it and causes the pumping of liquid fertilizer (or other additive) and inject it in a relative quantity into the water line.

The MixRite TF 25 technical working range:

The flow rate of water passing through the injector is between 3 and 25 m³/Hr. (9 – 110 GPM).

The water pressure is between 1 and 8 bar (14.7 and 120 PSI).

The water and air temperatures are not less than 4°C and not more than 40°C (39°F - 104°F).

Head loss: Low flow 0.2 Bar – High flow 1.5 Bar.

Max deviation injection rate +/- 10%.

Before using, an initial calibration should be done, in order to assure accurate match with the injector printed scale.

The flow rate of the fertilizer and chemicals can be adjusted relative to the flow rate of the water in the range of:

0.1% to 1%

0.2% to 2.5%

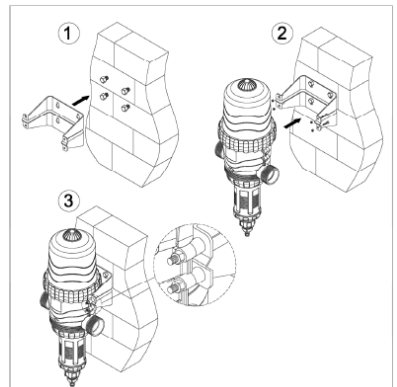
0.5% to 5.5%

Installing the Injector

Check that Injector package contains the following items:

- * One proportioning dosing injector to which are attached Two compression fittings (Plasson) for a 63 mm PE pipe or two BSPT 2" or NPT 2" threaded couplings according to the model.
- * One flexible suction tube to which is attached a flat seal And a filter.
- * A stand comprising 4 legs, 2 arched braces, 4 bolts with 8 mm nuts.
- * Wall bracket.
- * Spanner for TF cover nut.
- * One User's manual.

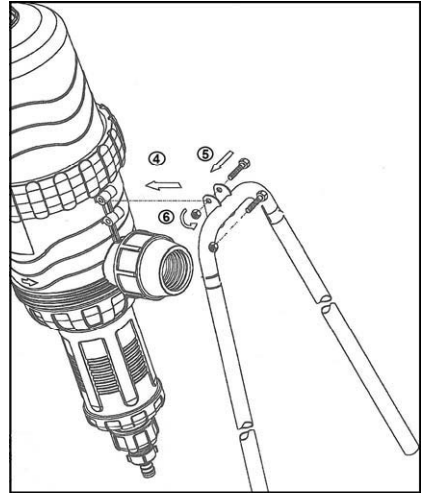
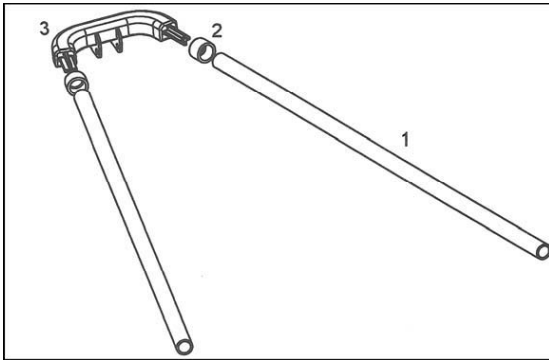
To fit to wall – connect one of the brackets to the wall by inserting 4 screws in the Bracket.





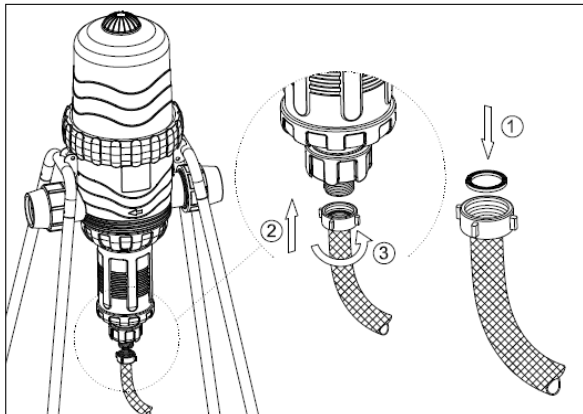
TEFEN Advanced Plastic Solutions.

To assemble the stand – Push the bushing (2) onto the open end of the leg (1). Insert the arch brace into the leg, swivel from side to side until completely inside. Repeat with the other legs. Attach the arched brace to the body of the injector (4) with 8 mm bolt (5) and tighten the nut (6). Repeat with the other arched brace.



Connection of the suction tube

Insert the flat seal into the nut of the coupling on the end of the tube (1). Thread and tighten the nut to the inlet valve on the bottom of the injector. Make sure that the nut is threaded and tighten properly (2,3).





TEFEN Advanced Plastic Solutions.

Connection of the Injector to a 2" threaded line

Note the direction of the water flow. Place the injector so that the arrow stamped on the body of the injector and the red arrow on central sticker point in the direction of the water flow. Connect the injector using the plastic couplings.

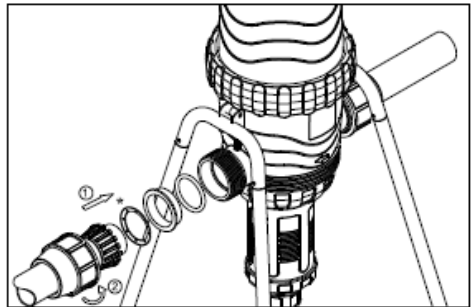
Connection of the Injector to a 63 mm. polyethylene line

Note the direction of the water flow. Place the injector so that the arrow stamped on the body of the injector and the red arrow point in the direction of the water flow. Make sure that the ends of the entry pipe and the exit pipe are cut straight and that the end is in the shape of a rounded cone. The distance between the entry end and the exit ends should be about 22 cm (8.8").

Remove the 63 mm nut from the injector and the white ring and slide them onto the pipe at a short distance from the end. Check that accessory seal 63 and that the sealing 63 fixture closes the unit from outside (1). Insert the pipe into the entry opening or exit opening in accordance with the direction indicated and push it so that the pipe penetrates the seal and stops at the end of the track.

To facilitate the penetration of the pipe spread a little silicone grease on the end of the tube before inserting it. Push the white ring in until it reaches the thread (2). Close the nut and tighten securely.

In the same way connect the injector to the other pipe.



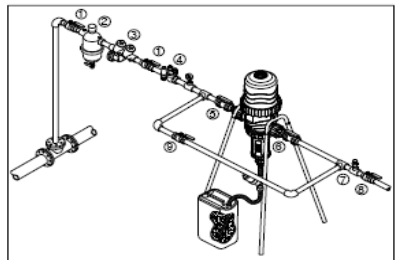
* Optional Special grip ring for P.V.C pipes

Water with high particle content

(ex.: 120 mesh - 130 microns depending on your water quality) water filter must be installed prior to the injector (see accessories), if a filter is not installed Abrasive substances will cause the injector to deteriorate prematurely.

Installing the injector on an irrigation line

It is recommended to fit a **main valve** (1) at the beginning of the line as well as a **backflow prevention valve** (3). On a drinking water line, according to local regulations, it is obligatory to install a backflow prevention valve to prevent entry of chemicals into the drinking water. Then as shown in the diagram the following have to be installed: A **pressure reducer** (4) to protect the injector from excess pressure, a **filter** (2) of at least 120 mesh (130 micron), a valve (6) before entry to the injector, vacuum valve (7) to prevent siphoning when the injector is not operating, and valves to the feed lines have then to be installed. It is advisable to add a bypass pipe through which the water can flow to irrigation without fertilizer or when it is required to dismantle the injector.



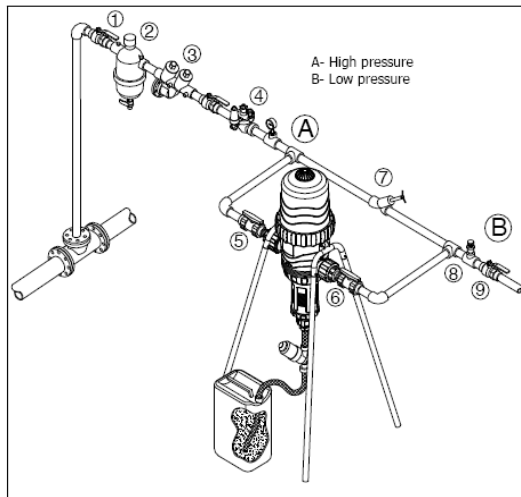


TEFEN Advanced Plastic Solutions.

Installation of the injector on a bypass line

It is necessary to fit the proportional dosing injector to a bypass line when irrigation with a flow rate higher than the maximum recommended for the injector. The bypass enables only part of the water flow to pass through the bypass and activate the injector, while the remainder passes through the main line. Using the choke valve (7) on the main line, the flow of water passing through the main is regulated so that the rest of the flow passes through the bypass and activates the injector. The metering must be calculated in accordance with the flow rate passing through both lines.

It is necessary to fit a main valve (1) at the beginning of the line and after it a **backflow prevention valve** (3), **pressure reducer** (4), a water filter (2) of at least 120 mesh (130 micron), a T connection (A) for diversion from the main line to the bypass, a valve on the bypass before the inlet to the proportioning dosing injector, a valve after the outlet from the injector (9) on the bypass and a T-connector for the return to the main line (B). A choke valve, preferably an angled valve, should be fitted on the main line between the bypass. An **anti vacuum valve** (8) should be fitted together with valves for the branch lines after the return connection from the bypass.



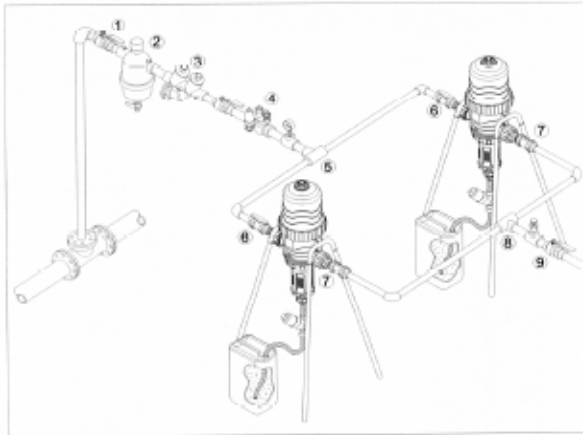
Installation of two injectors in parallel

When the water flow rate in the irrigation line is higher than the maximum nominal flow rate of the injector, the water may be divided between two injectors. If the 2 injectors are used for pumping the same type of fertilizer, the scale should be adjusted in an identical manner to the same level of metering. Two different additives may be metered at different levels. The metering in each unit must be calculated separately for each flow rate passing through each of the two injectors.

It is necessary to fit a main valve (1) at the beginning of the water line and after it, a backflow prevention valve (3), a pressure reducer (4), a filter (2) with at least 120 mesh (130 micron). A T-junction (5) is then fitted from the main line into 2 lines. To each of these lines are fitted a regulation valve (6), the injector and non-return valve (7) immediately after the injector and a connection back to the main line (8). Care must be taken to ensure that both branches are exactly the same length.



TEFEN Advanced Plastic Solutions.

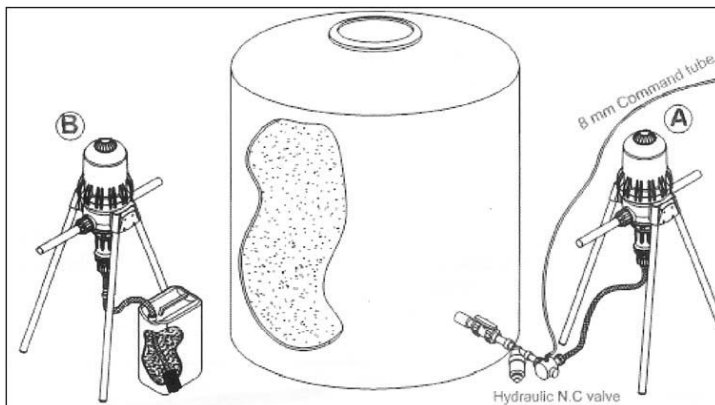


Connection to the Fertilizer Tank

Connect the suction tube to the fertilizer tank (preferably about 5cm (2") above the bottom). The liquid fertilizer must be passed through a filter with at least a 120 mesh (130 micron).

If the fertilizer is drawn from an open tank, a heavy weight should be placed at the end of the suction tube that will keep the opening of the suction tube inside the additive liquid and prevent the tube from floating and failing outside the tank. Make sure that the level of the fertilizer is always below the injector.

Otherwise uncontrolled flow of the fertilizer may occur. When connecting to a large fertilizer tank use a valve that is not affected by the fertilizer and an N.C. valve to prevent the siphon effect. The valve will only open when there is water pressure irrigation line.



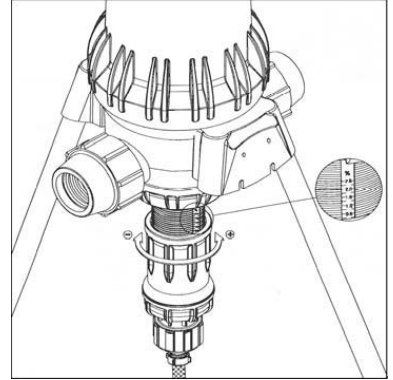


TEFEN Advanced Plastic Solutions.

Adjustment of Metering

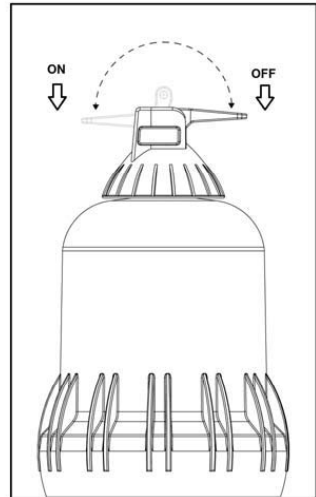
On the metering cylinder there is a scale indicating the percentage of additives. When the entry valve is closed and there is no water pressure in the injector, turn the adjustment control nut and set its upper edge on the percentage required. Turning it counterclockwise increases the amount of fertilizer metered. Turning it clockwise decreases the amount of fertilizer metered.

The actual fertilizer metering rate should be checked. If necessary, adjust by increasing or decreasing the adjustment control nut.



Manual On/Off Control

In models with manual on/off control the suction can be controlled while water flows through the injector. To inject the additive, flick the handle to its 'on' position ('on' face up), to stop injection of additive flick the handle to its 'off' position ('off' face up).





TEFEN Advanced Plastic Solutions.

Hydraulic On/Off Control

In models with a hydraulic on/off control the suction can be controlled while the water continues to flow through the injector, using a connection to the control tubes that are controlled by irrigation computer by means of electric valves.



Routine Maintenance

Regularly clean the water filter at the injector inlet and the fertilizer suction filter.

If its planned not to operate the injector for a long period, operate the injector for a few minutes with the metering tube immersed in a tank with clean water to remove fertilizer residues from the injector preventing them solidifying in the injector.

If there is fear of frost and the temperature falling below 4°C (39°F) empty the water from the injector. To do this, close the entry and exit valves securely. Open and dismantle the 3/4" record that connects the suction pipe. Press the suction check valve using a finger or a thin rod, allowing all the water that has collected in the injector to drain out while pressing the air release valve at the top of the injector.



TEFEN Advanced Plastic Solutions.

Troubleshooting Guide

Problem	Check	Solution
The injector does not work	The injector is fitted with the arrows in the opposite direction to the water flow.	Fit The injector with the arrows in the direction of the water flow.
	The inlet and outlet valves are closed.	Open the valves
	The inlet filter is blocked.	Clean the filter.
	There is no water flow at the appropriate pressure.	Open the main valve.
The injector has stopped working	There is no water flow at the appropriate pressure. Open the main valve. Open the nut locking the motor cover, remove the motor cover, and remove the mechanism. Check if the motor seals are defective.	Replace the motor seals.
	Check if the springs are broken.	Replace the springs.
	Check if the seals above the valves are defective or have been displaced.	Replace the seals.
	Check if one of the parts of the mechanism is broken.	Replace the broken part.
There is a leak from the injector.	The leak is from the connection between the body and the cover.	Open and remove the motor cover, replace the seal, fit the cover, and thoroughly tighten the cover locking nut.
	The leak is from the connection of the suction tube.	Remove the suction tube, replace the defective seal and reconnect.
	The leak is from the non-return valve.	Dismantle the non-return valve and replace the defective seal.
There is no suction.	The suction filter is blocked.	Clean the filter.
	Dismantle the injector unit and check if the suction seal is defective.	Replace the suction seal.
	The non-return valve is defective.	Replace the non-return valve.



TEFEN Advanced Plastic Solutions.

For advice, technical support and purchase of spare parts, Contact the authorized sales representative in your area._

LIMITED WARRANTY

Tefen Manufacture & Marketing Plastic Products 1990 Ltd. will replace all parts shown to be defective in material or workmanship during a period of twelve months from the date of purchase by the original purchaser.

To obtain warranty replacement of a part, the MixRite must be returned with original proof of purchase receipt to the manufacturer or authorized distributor and thereafter recognized as defective after examination by the technical services of the manufacturer or distributor.

The MixRite must be flushed of any chemical and sent to the manufacturer or distributor prepaid, but will be returned free of charge once repairs are made if found to be covered by the warranty. Any repairs made under warranty will not extend the initial warranty period.

This warranty only covers circumstances where the part has failed due to defects caused by the manufacturing process. This warranty is invalid if the defects are found to be due to the product's misuse, inappropriate use of tools, lack of maintenance or defective installation or environmental accidents or corrosion by foreign bodies and liquids found within or in proximity to the MixRite. The seals and "O" rings are not covered under warranty, nor is damage to the MixRite caused by water impurities such as sand. A filter (200 Mesh) must be used in front of the unit for the warranty to be valid.

Tefen Manufacture & Marketing Plastic Products 1990 Ltd. declines any responsibility if the MixRite is not used in compliance with the operating instructions and tolerances as indicated herein.

This warranty gives you specific legal rights and you may also have other rights which vary from state to state. But any implied warranty or merchantability or fitness for a particular purpose applicable to this product is limited in duration to the time period of this written warranty or any implied warranty.

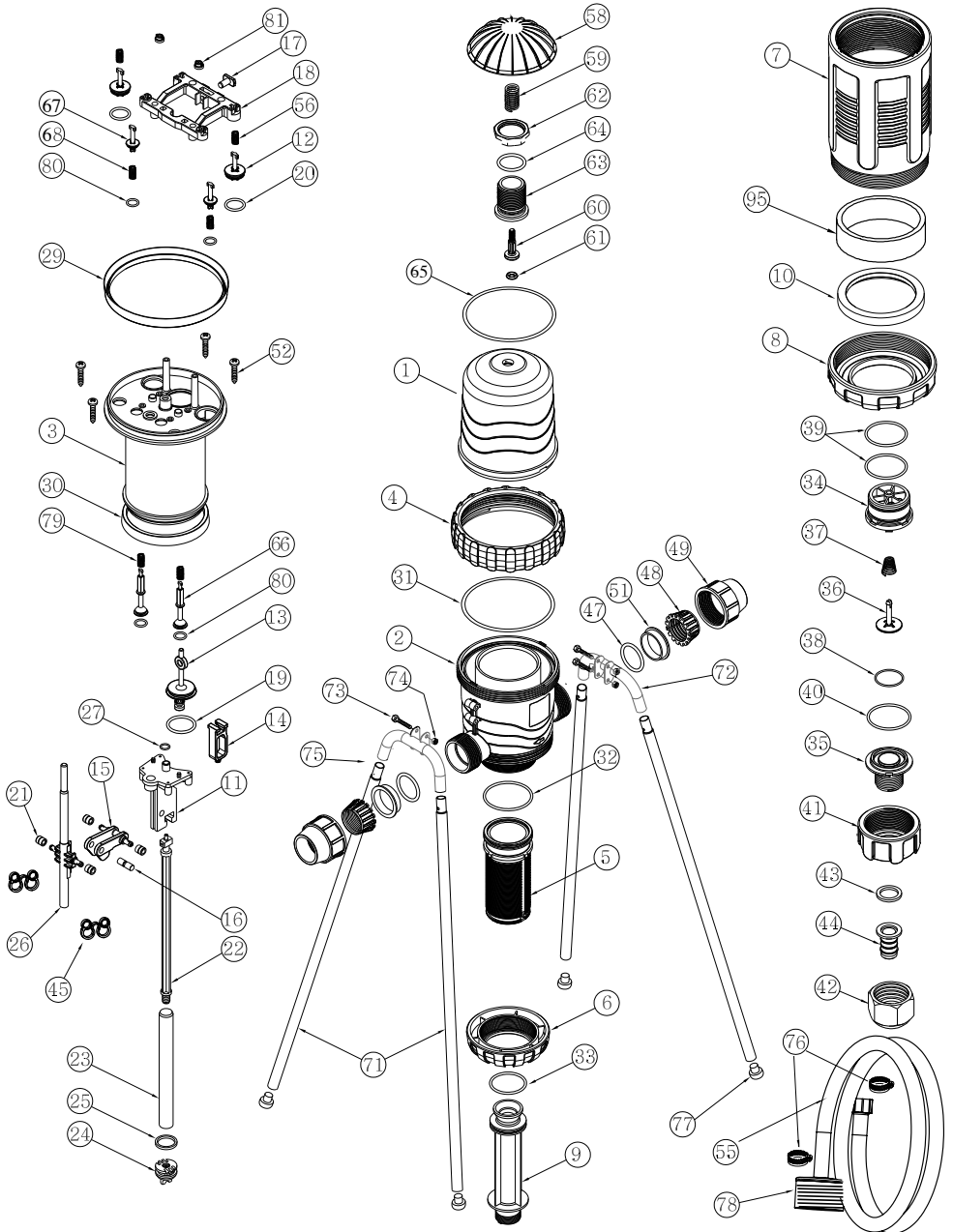
There is no warranty express or implied relating in any way to products used in conjunction with Tefen Manufacture & Marketing Plastic Products 1990 Ltd.

The manufacturer or authorized distributor shall not be liable for incidental or consequential damage, such as any economic loss, resulting from breach of this written warranty or any implied warranty.

There are no warranties, express or implied, which will extend beyond those described above.



TEFEN Advanced Plastic Solutions.





TEFEN Advanced Plastic Solutions.

PARTS

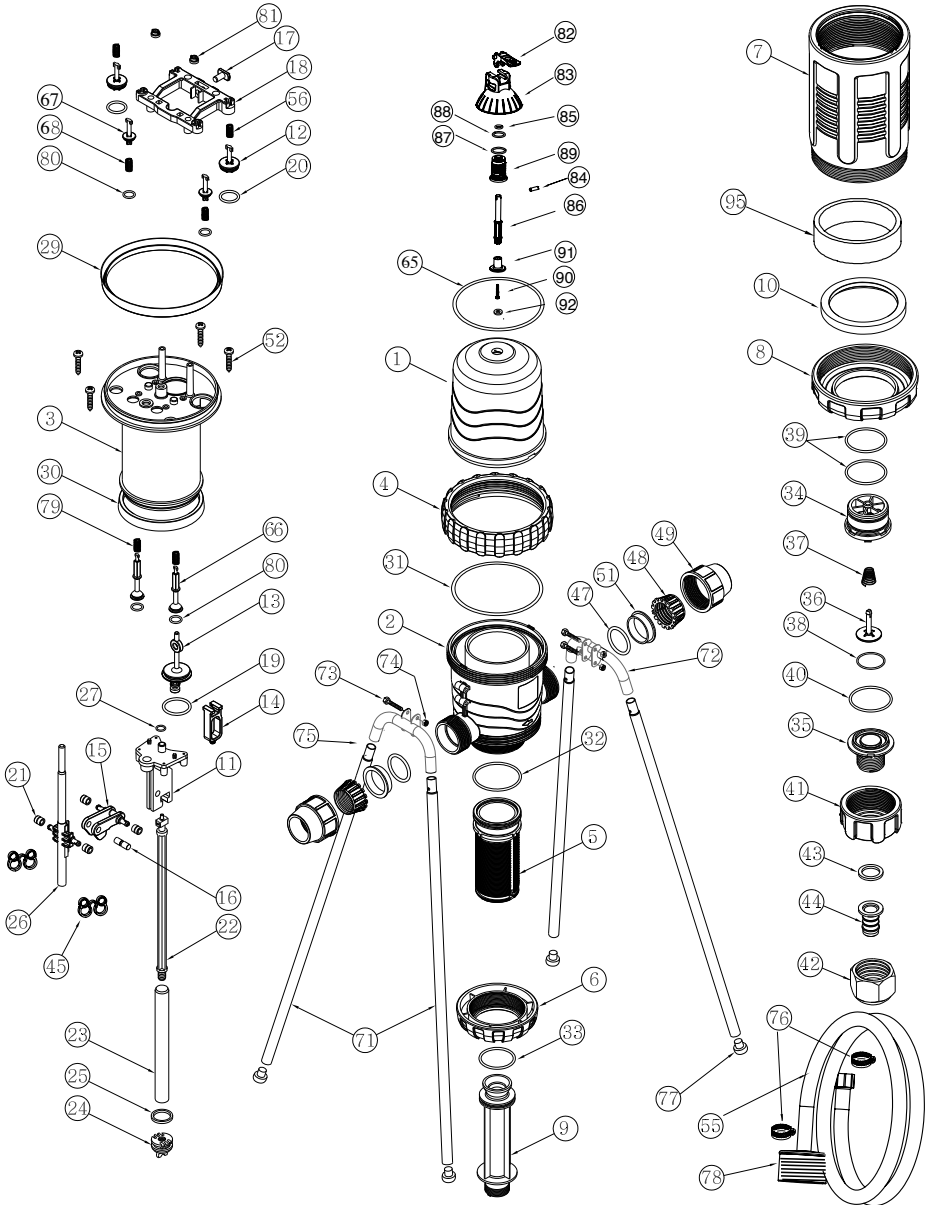
63 mm BSPT NPT

MixRite TF25 , 0.1-1.0%, Air Releaser 28250100000 / 28240100000 / 28230100000
 MixRite TF25 , 0.2-2.5% ,Air Releaser 28250200000 / 28240200000 / 28230200000
 MixRite TF25 , 1.0-5.5%, Air Releaser 28250500000 / 28240500000 / 28230500000

No.	COMPONENT NAME	COMPONENT CODE	No.	COMPONENT NAME	COMPONENT CODE
1	COVER TF	35001001301	36	CHECK VALVE PISTON 1%,2% model	36030162284
2	BODY 63 TF	35002251302	37	CONICAL SPRING FOR C. VALVE 5%	38000001137
2	BODY 2" BSPT TF	35002151302	37	SPRING FOR C. VALVE1%,2%	38028110529
2	BODY 2" NPT TF	35002161302	38	O RING 21*4 PO for 5% model	38021403220
3	PISTON TF	35003003103	38	O RING 2-206 PO for 1%,2%	38022060284
4	COVER NUT	35004001804	39	O RING 2-132 PO	38021323239
5	CYLINDER SUPPORT	35005003305	40	O RING 2-134 PO	38021343240
6	CYLINDER SUPPORT NUT	35006001806	41	CHECK VALVE NUT	35019003841
7	ADJUSTMENT NUT	35007001807	42	RECORD NUT 1"	35000003842
8	LATCH NUT	35008001808	43	1" SEAL	37245581600
9	CYLINDER 1% MIXRITE TF 25-001	35030016109	44	RECORD BODY 25X1"	35024003844
9	CYLINDER 2% MIXRITE TF 25-002	35009026109	45	PLASTIC SPRING 1 TF	35035018245
9	CYLINDER 5% MIXRITE TF 25-005	35010056109	47	PLASSON SEAL 63	38000639247
10	CYLINDER SUPPORT SPACER	35016003810	48	PLASSON 63 LOCK RING	38000635148
11	INSIDE BASE	35011005211	49	PLASSON 63 NUT	38000634249
12	LARGE EXIT VALVE 3	35012001112	50		
13	CENTRAL VALVE 3	35012001113	51	63 SEAL HOLDER	35016003851
14	TOGGLE FRAME	35012001114	52	EJOTE SCREW WN-1412	38000001152
15	TOGGLE	35015001115	55	SUCTION TUBE 25mm	36030002555
16	TOGGLE PIN	35012001116	56	LARGE EX. VALVE SPRING	38000001146
17	BRIDGE PIN	35012001117	58	AIR RELEASE	35016003858
18	V7 BRIDGE	35029001118	59	SPRING 5	38060000059
19	O RING 32X4.5	38032452244	60	AIR RELEASER SCREW	36030284360
20	O RING 24X4	38024409220	61	"O" RING 2-107	38060210761
21	TOGGLE BEARING	35021001121	62	NUT 3/4"	38000007389
22	PISTON BAR 1%	35013015222	63	ADAPTOR 3/4"	35000003863
22	PISTON BAR 2%	35013005222	64	O RING 2-211	38060221146
22	PISTON BAR 5%	35013025222	65	DALRIN RING	35032005179
23	PISTON SLEEVE	35014001123	66	V7 INNER VALVE	35027001160
24	SUCTION PISTON 1% MIXRITE TF 25-001	35031014224	67	SMALL EXIT VALVE	35027001150
24	SUCTION PISTON 2% MIXRITE TF 25-002	35017023124	68	SMALL EXIT VALVE SPRING	38000001147
24	SUCTION PISTON 5% MIXRITE TF 25-005	35017053124			
25	SUCTION SEAL 1% MIXRITE TF 25-001	35002014225			
25	SUCTION SEAL 2% MIXRITE TF 25-002	35002024225	71	EASEL LEG TF PLAS. 1"	38000324171
25	SUCTION SEAL 5% MIXRITE TF 25-005	35002054225	72	EASEL BRIDGE TF PLAS.	35034013872
26	OPERATION ROD	35013005226	73	HEX SCREW SS M8x45	38000001173
27	"O" Ring 12X2	37005852002	74	NUT SS M8	38000001174
28			75	BUSHING FOR TF25 LEG	38005020425
29	UPPER PISTON SEAL	35023002229	76	SST CLIP SCREW	38018382102
30	LOWER PISTON SEAL	35024002230	77	EASEL LEG PLUG D.30	38000003277
31	O RING 2-370	38023709231	78	FILTER 1"	38030212500
32	O RING 6X105	38060610561	79	V7 INNER VALVE SPRING	38000001148
33	O RING 75X6 for 1%,2% model	38075062233	80	O RING 2-112	380021129280
33	O RING 75X7 for 5% model	38075062233	81	V7 INNER VALVE LOCKER	35028001181
34	CHECK VALAE GUIDE for 5% model	35018003334			
34	CHECK VALAE GUIDE for 1%,2% models	35018023334			
35	CHECK VALAE SEAT for 5% model	35018003335	95	SPACER FOR CYLINDER 1%,2%	35000023195
35	CHECK VALAE SEAT for 1%, 2% model	35018023335	95	SPACER FOR CYLINDER 5%	35000053195
36	CHECK VALVE PISTON for 5% model	35025001136			



TEFEN Advanced Plastic Solutions.





TEFEN Advanced Plastic Solutions.

PARTS

63 mm BSPT NPT

MixRite TF25 , 0.1-1.0% ,ON/OFF 28250110000 / 28240110000 / 28230110000

MixRite TF25 , 0.2-2.5% ,ON/OFF 28250210000 / 28240210000 / 28240210000

MixRite TF25 , 1.0-5.5% , ON/OFF 28250510000 / 28240510000 / 28230510000

No.	COMPONENT NAME	COMPONENT CODE	No.	COMPONENT NAME	COMPONENT CODE
1	COVER TF	35001001301	36	CHECK VALVE PISTON 1%,2% model	36030162284
2	BODY 63 TF	35002251302	37	CONICAL SPRING FOR C. VALVE 5%	38000001137
2	BODY 2" BSPT TF	35002151302	37	SPRING FOR C. VALVE1%,2%	38028110529
2	BODY 2" NPT TF	35002161302	38	O RING 21*4 PO for 5% model	38021403220
3	PISTON TF	35003003103	38	O RING 2-206 PO for 1%,2%	38022060284
4	COVER NUT	35004001804	39	O RING 2-132 PO	38021323239
5	CYLINDER SUPPORT	35005003305	40	O RING 2-134 PO	38021343240
6	CYLINDER SUPPORT NUT	35006001806	41	CHECK VALVE NUT	35019003841
7	ADJUSTMENT NUT	35007001807	42	RECORD NUT 1"	35000003842
8	LATCH NUT	35008001808	43	1" SEAL	37245581600
9	CYLINDER 1% MIXRITE TF 25-001	35030016109	44	RECORD BODY 25X1"	35024003844
9	CYLINDER 2% MIXRITE TF 25-002	35009026109	46	PLASTIC SPRING 1 TF	35035018245
9	CYLINDER 5% MIXRITE TF 25-005	35010056109	47	PLASSON SEAL 63	38000639247
10	CYLINDER SUPPORT SPACER	35016003810	48	PLASSON 63 LOCK RING	38000635148
11	INSIDE BASE	35011005211	49	PLASSON 63 NUT	38000634249
12	LARGE EXIT VALVE 3	35012001112	50		
13	CENTRAL VALVE 3	35012001113	51	63 SEAL HOLDER	35016003851
14	TOGGLE FRAME	35012001114	52	EJOTE SCREW WN-1412	38000001152
15	TOGGLE	35015001115	55	SUCTION TUBE 25mm	36030002555
16	TOGGLE PIN	35012001116	56	LARGE EX. VALVE SPRING	38000001146
17	BRIDGE PIN	35012001117			
18	V7 BRIDGE	35029001118	65	DALRIN RING	35032005179
19	O RING 32X4.5	38032452244	66	V7 INNER VALVE	35027001160
20	O RING 24X4	38024409220	67	SMALL EXIT VALVE	35027001150
21	TOGGLE BEARING	35021001121	68	SMALL EXIT VALVE SPRING	38000001147
22	PISTON BAR 1%	35013015222			
22	PISTON BAR 2%	35013005222			
22	PISTON BAR 5%	35013025222	71	EASEL LEG TF PLAS. 1"	38000324171
23	PISTON SLEEVE	35014001123	72	EASEL BRIDGE TF PLAS.	35034013872
24	SUCTION PISTON 1% MIXRITE TF 25-001	35031014224	73	HEX SCREW SS M8x45	38000001173
24	SUCTION PISTON 2% MIXRITE TF 25-002	35017023124	74	NUT SS M8	38000001174
24	SUCTION PISTON 5% MIXRITE TF 25-005	35017053124	75	BUSHING FOR TF25 LEG	38005020425
25	SUCTION SEAL 1% MIXRITE TF 25-001	35002014225	76	SST CLIP SCREW	38018382102
25	SUCTION SEAL 2% MIXRITE TF 25-002	35002024225	77	EASEL LEG PLUG D.30	38000003277
25	SUCTION SEAL 5% MIXRITE TF 25-005	35002054225	78	FILTER 1"	38030212500
26	OPERATION ROD	35013005226	79	V7 INNER VALVE SPRING	38000001148
27	"O" Ring 12X2	37005852002	80	O RING 2-112	38021129280
28			81	V7 INNER VALVE LOCKER	35028001181
29	UPPER PISTON SEAL	35023002229	82	ON/OFF HANDLE FOR TF	35305011285
30	LOWER PISTON SEAL	35024002230	83	COVER FOR ON/OFF TF	35303011258
31	O RING 2-370	38023709231	84	PIN	35308011286
32	O RING 6X105	38060610561	85	O RING 9*3	38000932246
33	O RING 75X6 for 1%,2% model	38075062233	86	BAR FOR TF5 HANDLE ON/OFF	35308011288
33	O RING 75X7 for 5% model	38075072233	87	O RING 20*3	38002032264
34	CHECK VALAE GUIDE for 5% model	35018003334	88	O RING 2-116	38021169292
34	CHECK VALAE GUIDE for 1%,2% models	35018023334	89	ADAPTOR 3/4" ON/OFF TF	35301011287
35	CHECK VALAE SEAT for 5% model	35018003335	90	EJOTE SCREW WN-1412 4*25	38000042565
35	CHECK VALAE SEAT for 1%, 2% model	35018023335	91	ON/OFF DISC FOR TF25	35302251290
36	CHECK VALVE PISTON for 5% model	35025001136	92	STAINLESS STEEL DISC	38060351641
			95	SPACER FOR CYLINDER 1%,2%	35000023195
			95	SPACER FOR CYLINDER 5%	35000053195



TEFEN Advanced Plastic Solutions.

TF25 KITS

NO.	PART	CAT.NO
A	SEAL KIT 1%	35000000008
	SEAL KIT 2%	35000000002
	SEAL KIT 5%	35000000003
D	SUCTION CHECK VALVE KIT 5%	35000000004
	SUCTION CHECK VALVE KIT 1%,2%	35000000022
E	MECHANISM SPRING	35000000045
F	SUCTION CYLINDER KIT 1%	35000000009
	SUCTION CYLINDER KIT 2%	35000000011
	SUCTION CYLINDER KIT 5%	35000000012
G	SUCTION PISTON KIT 1%	35000000019
	SUCTION PISTON KIT 2%	35000000020
	SUCTION PISTON KIT 5%	35000000021
	WATER ENGINE COMPLETE	35000000005
C	SUCTION TUBE KIT	35000000049
H	MANUAL ON/OFF KIT	35000000048



TEFEN Advanced Plastic Solutions.



MixRite TF 25

Manual del Usuario

www.tefenplastic.com E-mail: info@tefenplastic.com

Edición 01-12



TEFEN Advanced Plastic Solutions.

Inyector de Fertilizante y Productos Químicos Tefen MixRite TF 25

Lo felicitamos por haber adquirido uno de los excelentes productos de Tefen. Es muy importante que dedique algunos minutos a la lectura, en forma cuidadosa, de las explicaciones y recomendaciones que contiene este Manual del Usuario para obtener los mejores resultados del inyector de dosificación proporcional MixRite TF-25.

Principios operativos

El inyector de dosificación proporcional se conecta a la línea de agua. El flujo de agua que pasa a través del inyector lo activa y provoca el bombeo del líquido fertilizante (u otro aditivo) y lo inyecta en una cantidad proporcional en la línea de agua.

El MixRite TF 25 tiene el siguiente rango de trabajo:

El caudal que pasa a través del inyector debe estar entre 3 y 25 m³/h (9 – 110 GPM).

La presión de agua debe estar entre 1 y 8 bar (14,7 y 120 PSI).

Las temperaturas del agua y del aire no deben ser inferiores a 4°C y tampoco superiores a 40°C (39 °F – 104°F).

Pérdida de carga: caudal bajo 0,2 bar – caudal alto 1,5 bar

Máxima desviación de la tasa de inyección: +/- 10%

Antes de usarlo, se debe realizar una calibración inicial a los efectos de asegurar una coincidencia precisa con la escala impresa en el inyector.

El caudal de fertilizante y de productos químicos puede ser ajustado en forma proporcional al caudal de agua en el siguiente rango:

0,1% a 1%

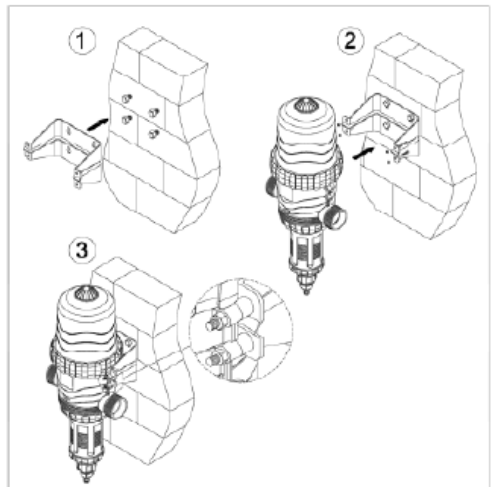
0,2% a 2,5%

0,5% a 5,5%

Instalación del inyector

- Verifique que el paquete del inyector contenga los siguientes ítems:
- Un inyector de dosificación proporcional al que están fijados dos conectores de compresión (Plasson) para una tubería de PE de 63 mm o dos conectores a rosca BSPT de 2" o NPT de 2" de acuerdo al modelo.
- Un tubo de succión flexible al que está fijado un sello plano y un filtro.
- Un soporte que contiene 4 patas, 2 brazos en arco, 4 pernos con tuercas de 8 mm.
- Soporte de pared
- Una llave para ajustar la tuerca de la cubierta del TF
- Un Manual del Usuario

Para amurarlo a la pared – fije uno de los soportes a la pared insertando los 4 tornillos en el soporte.





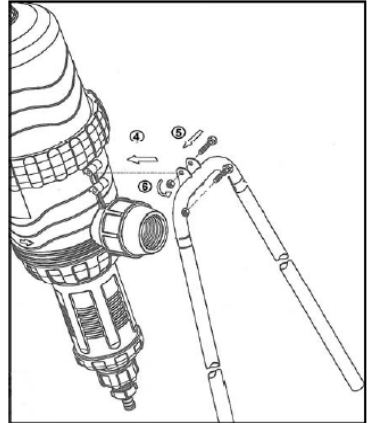
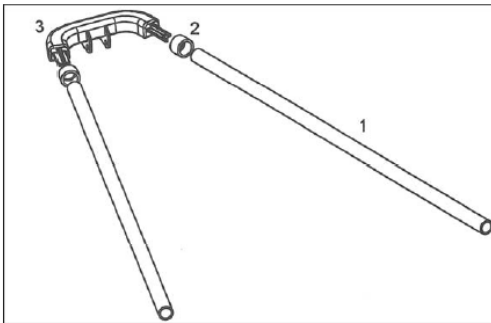
TEFEN Advanced Plastic Solutions.

Para armar el soporte – Empuje el buje (2) en el extremo abierto de la pata (1). Inserte el brazo en arco en la pata., gírelo de lado a lado hasta que quede completamente adentro.

Repita el mismo procedimiento con las otras patas.

Fije el brazo en arco al cuerpo del inyector (4) con el perno de 8 mm (5) y ajuste la tuerca (6).

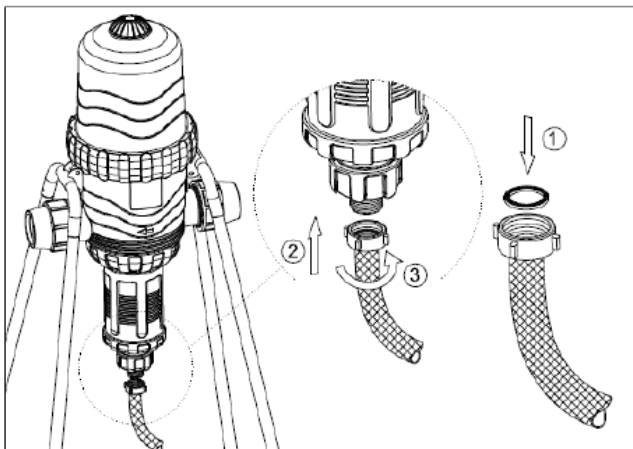
Repita el mismo procedimiento con el otro brazo en arco.



Conexión del tubo de succión

Inserte el sello plano en la tuerca del acoplamiento en el extremo del tubo (1).

Enrosque y ajuste la tuerca a la válvula de entrada ubicada en la parte inferior del inyector. Asegúrese de que la tuerca esté bien enroscada y debidamente ajustada (2,3).





TEFEN Advanced Plastic Solutions.

Conexión del inyector a una línea roscada de 2"

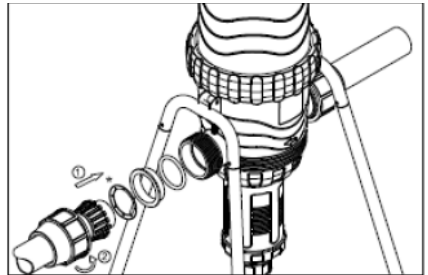
Tenga en cuenta la dirección del flujo de agua. Arme el inyector de forma tal que la flecha que está estampada en su cuerpo y la flecha roja en la etiqueta central apunten en la dirección del flujo de agua. Conecte el inyector usando los acoplamientos plásticos.

Conexión del inyector a una línea de polietileno de 63 mm

Tenga en cuenta la dirección del flujo de agua. Arme el inyector de forma tal que la flecha que está estampada en su cuerpo y la flecha roja apunten en la dirección del flujo de agua. Asegúrese de que los extremos de la tubería de entrada y salida estén cortados en forma recta y que el extremo tenga una forma de cono redondeado. La distancia entre el extremo de entrada y el de salida debe ser de 22 cm (8,8").

Retire la tuerca de 63 mm y el anillo blanco del inyector, y deslícelos por fuera de la tubería hasta llegar a una corta distancia de su extremo. Verifique que el accesorio sello 63 y que el sellado de sujeción 63 cierren la unidad desde afuera (1). Inserte la tubería en la abertura de entrada o de salida de acuerdo con la dirección indicada y empuje con fuerza de modo tal que la tubería penetre y el sello pase y se detenga al final de su recorrido.

Para facilitar la penetración de la tubería aplique un poco de grasa siliconada en el extremo del tubo antes de insertarla. Empuje el anillo blanco hasta que alcance la rosca (2). Coloque la tuerca y ajústela con firmeza. De la misma forma conecte el inyector a la otra tubería.



*Anillo de agarre especial opcional para tuberías de PVC

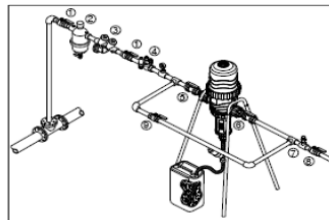
Agua con alto contenido de partículas

(Ej: 120 mesh – 130 micrones dependiendo de la calidad del agua)

Se debe instalar un filtro antes del inyector (ver accesorios), de lo contrario las sustancias abrasivas pueden provocar que el inyector se deteriore en forma prematura.

Instalación del inyector en una línea de riego

Se recomienda conectar una **válvula principal** (1) al comienzo de la línea como así también una **válvula de prevención de reflujo** (3). En una línea de agua potable, de acuerdo a las normas locales es obligatorio instalar una válvula de prevención de reflujo para evitar el ingreso de productos químicos en el agua potable. Entonces tal como se muestra en el diagrama se debe instalar lo siguiente: un **reductor de presión** (4) para proteger al inyector de una presión excesiva, un **filtro** (2) de al menos 120 mesh (130 micrones), una válvula (6) antes de la entrada al inyector, una válvula de vacío (7) para evitar el sifonamiento cuando el inyector no está en funcionamiento, y válvulas para las líneas de alimentación. Es aconsejable agregar una tubería de derivación a través de la cual el agua pueda fluir hacia el riego sin fertilizante o cuando se necesite proceder al desarme del inyector.



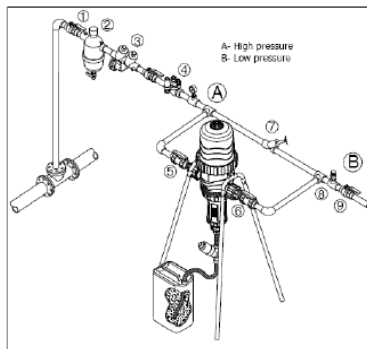


TEFEN Advanced Plastic Solutions.

Instalación del inyector en una línea de derivación

Resulta necesario instalar el inyector de dosificación proporcional en una línea de derivación cuando se riega con un caudal superior al máximo recomendado para el inyector. La derivación permite que sólo una parte del agua pase a través del inyector y lo active, mientras que el resto pasa a través de la línea principal. Usando la válvula de estrangulación (7) en la línea principal, el flujo de agua que pasa a través de la línea principal se regula de forma tal que el resto del flujo pase a través de la derivación y active al inyector. La medición debe ser calculada en función del flujo de agua que pase a través de ambas líneas.

Resulta necesario conectar una válvula principal (1) al comienzo de la línea y luego de ella una **válvula de prevención de reflujo** (3), un **reductor de presión** (4), un filtro de agua (2) de al menos 120 mesh (130 micrones), una conexión T (A) para desvío desde la línea principal a la derivación, una válvula en la derivación antes de la entrada al inyector de dosificación proporcional, una válvula después de la salida desde el inyector (9) en la derivación y un conector T para el retorno a la línea principal (B). Se debe conectar una válvula de estrangulación, preferentemente una válvula angulada, a la línea principal. Se debe instalar una **válvula antivació** (8) junto con las válvulas de los ramales luego de la conexión de retorno desde la derivación.



A- alta presión
B- baja presión

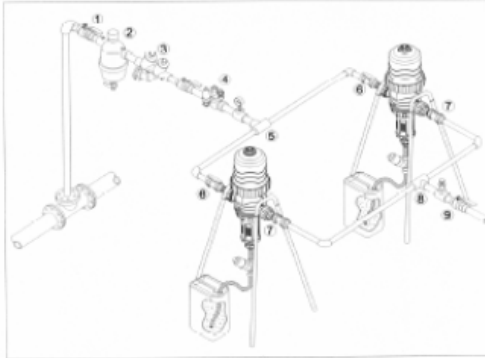
Instalación de dos inyectores en paralelo

Cuando el caudal de agua en la línea de riego es mayor que el caudal nominal máximo de los inyectores, el agua debe ser dividida entre dos unidades. Si los 2 inyectores son utilizados para bombear el mismo tipo de fertilizante, las escalas deben ser ajustadas de idéntica forma al mismo nivel de medición. Dos aditivos diferentes pueden ser medidos a diferentes niveles. La medición en cada unidad debe ser calculada para cada caudal que pase a través de los dos inyectores.

Resulta necesario instalar: una válvula principal (1) al comienzo de la línea y luego de ésta una **válvula** de prevención de reflujo (3), un reductor de presión (4), un filtro (2) con un grado de filtración de al menos 120 mesh (130 micrones), un empalme T (5) se conecta desde la línea principal en 2 líneas. A cada una de estas líneas se conecta una válvula reguladora (6), el inyector y la válvula de no retorno (7) inmediatamente luego del inyector y una conexión de regreso a la línea principal (8). Se debe tener precaución para asegurar que los dos ramales sean exactamente de la misma longitud.



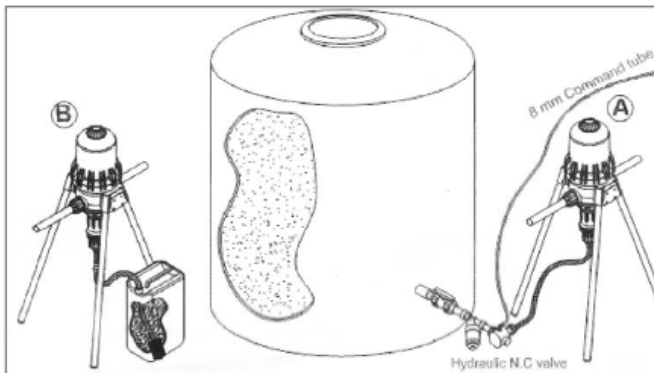
TEFEN Advanced Plastic Solutions.



Conexión a un tanque de fertilizante

Conecte el tubo de succión al tanque de fertilizante (preferiblemente a unos 5 cm (2") por encima del fondo). El líquido fertilizante debe ser pasado a través del filtro de al menos 120 mesh (130 micrones). Si el fertilizante se toma de un tanque abierto, se debe colocar un peso pesado al final del tubo de succión de forma tal que se pueda mantener la abertura del tubo de succión siempre adentro del líquido aditivo y evitar que el tubo flote y caiga fuera del tanque. Asegúrese de que el nivel del fertilizante esté siempre por debajo del inyector. De lo contrario puede haber un flujo descontrolado del fertilizante.

Cuando se conecte a un tanque de fertilizante grande use una válvula que no esté afectada por el fertilizante y una válvula N.C. para evitar el efecto sifón. La válvula se abrirá solamente cuando haya presión de agua en la línea de riego.

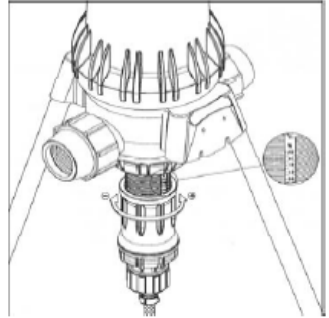




TEFEN Advanced Plastic Solutions.

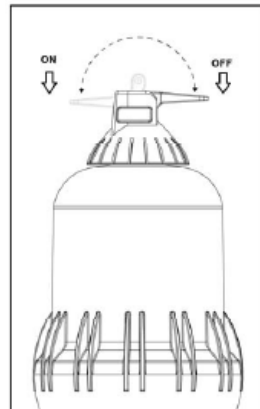
Ajuste de la medición

En el cilindro de medición hay una escala que indica el porcentaje de aditivos. Cuando la válvula de entrada está cerrada y no hay presión de agua en el inyector, gire la tuerca de ajuste de control y coloque su borde superior en el porcentaje requerido. Girando en el sentido contrario al de las agujas del reloj aumenta la cantidad de fertilizante medido. Girando en el sentido de las agujas del reloj la cantidad de fertilizante se reduce. Se debe verificar la tasa de medición del fertilizante para su correcto funcionamiento. Si es necesario, ajuste aumentando o reduciendo la tuerca de ajuste de control.



Control Manual On/Off

En modelos con control manual On/Off se puede controlar la succión mientras el agua fluye a través del inyector. Para inyectar aditivos, coloque la manija en la posición "On" ("On" cara arriba), y para detener la inyección coloque la manija en la posición "Off" ("Off" cara arriba).





TEFEN Advanced Plastic Solutions.

Control hidráulico On/Off

En modelos con control hidráulico se puede controlar la succión mientras el agua continúa fluyendo a través del inyector, usando una conexión a los tubos de control que están controlados por la computadora de riego por medio de válvulas eléctricas.



Mantenimiento de rutina

En forma periódica limpie el filtro de agua a la entrada del inyector y el filtro de succión de fertilizante.

Si se planifica no operar el inyector durante un largo período de tiempo, haga funcionar al inyector durante unos minutos con el tubo de medición sumergido en un tanque con agua limpia para eliminar residuos de fertilizante del inyector y evitar que se puedan solidificar adentro del inyector.

Si existe un riesgo de congelamiento y la temperatura cae por debajo de los 4°C (39°F) drene el agua del inyector. Para hacer esto, cierre las válvulas de entrada y salida en forma firme. Abra y desarme el record "□" que conecta la tubería de succión. Presione la válvula de chequeo de succión usando un dedo o una varilla delgada, permitiendo que el agua que haya acumulada en el inyector drene hacia fuera mientras presiona la válvula liberadora de aire en la parte superior del inyector.



TEFEN Advanced Plastic Solutions.

Guía para la Solución de Problemas

Problema	Verificar	Solución
El inyector no funciona	El inyector está conectado con las flechas en la dirección opuesta a la de circulación de agua	Coloque el inyector con las flechas en la dirección del flujo de agua
	Las válvulas de entrada y salida están cerradas	Abra las válvulas
	La entrada del filtro está bloqueada	Limpie el filtro
	No hay flujo de agua a la presión adecuada	Abra la válvula principal
El inyector dejó de funcionar	No hay caudal de agua a la presión adecuada. Abra la válvula principal. Abra la tuerca que traba la cubierta del motor, retire la cubierta del motor, y retire el mecanismo. Verifique que los sellos del motor no estén defectuosos	Reemplace los sellos del motor
	Verifique si los resortes están rotos	Reemplace los resortes
	Verifique si los sellos por encima de las válvulas están defectuosos o si han sido desplazados	Reemplace los sellos
	Verifique si una de las partes del mecanismo está rota	Reemplace la parte rota
Hay una pérdida en el inyector	La pérdida proviene de la conexión entre el cuerpo y la cubierta	Abra y retire la cubierta del motor, reemplace el sello, coloque la cubierta, y ajuste con firmeza la tuerca de cierre de la cubierta
	La pérdida proviene de la conexión del tubo de succión	Retire el tubo de succión, reemplace el sello defectuoso y reconecte
	La pérdida proviene de la válvula de no retorno	Desarme la válvula de no retorno y reemplace el sello defectuoso
No hay succión	El filtro de succión está bloqueado	Limpie el filtro
	Desarme la unidad inyectora y verifique si el sello de succión está defectuoso	Reemplace el sello de succión
	La válvula de no retorno está defectuosa	Reemplace la válvula de no retorno



TEFEN Advanced Plastic Solutions.

Para asesoramiento, soporte técnico y compra de repuestos, contacte al representante de ventas autorizado en su área

GARANTIA LIMITADA

Tefen Manufacture & Marketing Plastic Products 1990 Ltd. reemplazará todas aquellas partes que muestren defectos en el material o que presenten defectos debido a mano de obra durante un período de doce meses desde la fecha de compra por parte del comprador original.

Para obtener garantía de reemplazo de una parte, el MixRite debe ser devuelto con la prueba original de compra, es decir el recibo original, al fabricante o al distribuidor autorizado y posteriormente ser reconocida como parte defectuosa por medio de un examen realizado por los servicios técnicos del fabricante o del distribuidor.

El MixRite debe entregarse limpio de cualquier producto químico y enviado al fabricante o distribuidor en forma prepaga (con el pago del envío realizado por el cliente), y será devuelto sin cargo una vez que se haya realizado la reparación si es que se ha considerado que la garantía lo cubre.

Cualquier reparación bajo garantía no extenderá el período inicial de garantía.

La garantía cubre solamente las circunstancias en donde la parte ha fallado debido a defectos causados por el proceso de fabricación. Esta garantía no es válida si los defectos se originaron debido a un mal uso del producto, uso con herramientas inadecuadas, falta de mantenimiento o instalación defectuosa, accidentes ambientales o corrosión debido a cuerpos extraños y líquidos que se encuentren dentro o en las proximidades del MixRite.

Los sellos y O rings no están cubiertos por esta garantía y tampoco aquellos daños que hayan sido causados al MixRite por impurezas del agua tales como la arena. Se debe utilizar un filtro de 200 mesh antes de la unidad para que la garantía sea válida.

Tefen Manufacture & Marketing Plastic Products 1990 Ltd. declina cualquier responsabilidad si el MixRite no es utilizado de acuerdo a las instrucciones operativas y tolerancia indicadas en el manual del usuario.

La garantía otorga derechos legales específicos y otros derechos que varían de estado en estado. Pero toda garantía o comerciabilidad para un propósito particular aplicable a este producto está limitado en el tiempo al período de garantía escrita.

No existe garantía expresa o implícita relacionada con productos utilizados en forma conjunta con Tefen Manufacture & Marketing Plastic Products 1990 Ltd.

El fabricante o distribuidor autorizado no será obligado a responder por daño incidental, o por cualquier pérdida de tipo económico, que resulte de incumplimiento de esta garantía escrita o cualquier garantía implícita.

No hay otras garantías, expresas o implícitas, más allá de lo que está descrito en los párrafos anteriores.

