

## TECHNICAL SPECIFICATIONS

- Pins for plate (max)  $n = 98$  (14 x 7 grid), for 600 x 400 mm containers.
- Fixed rotating pins speed.
- Sliding guides to better support the dibbling plate.
- Adjustable dibbling depth easy to set.
- Guided soil press plate with springs.
- Belt length (standard)  $L = 2300$  mm.
- Fixed speed conveyor belt.
- Available in left and right version.



## MAIN ACCESSORIES

- Plates with rotating pins custom made.
- Electronic speed variator for advancement belt.
- Belt length available in the following versions:  $L = 3300 / 4300 / 5300 / 6300$  mm.
- Tray holders, with fixed or adjustable tilt table.
- Wheels kit for handling.

# NPR

*AUTOMATIC DIBBLING MACHINE  
WITH ROTATING PINS*

**URBINATI s.r.l.**

Via della Liberazione, 18 - 47030 San Mauro Pascoli (FC) - Italy  
Tel. (+39) 0541 932018 - Fax (+39) 0541 932679



[www.urbinati.com](http://www.urbinati.com) - [info@urbinati.com](mailto:info@urbinati.com)



**URBINATI**  
Nursery Technology

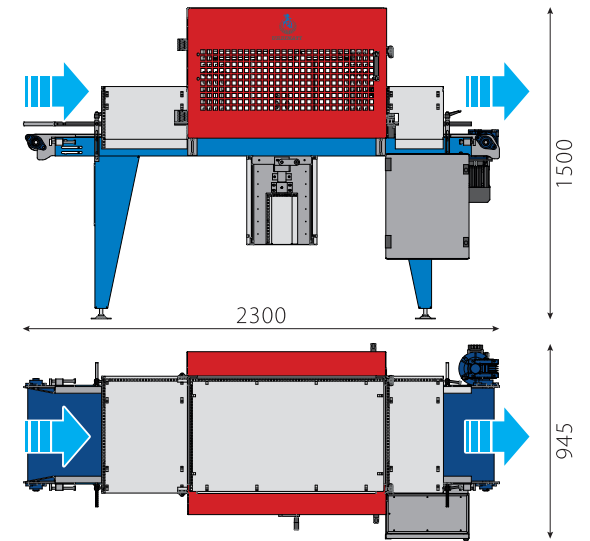


## MACHINE DESCRIPTION

The NPR automatic dibbling machine with rotating pins follows the practicality of the dibbling machine with pins NI and improves its function giving compactness to the internal soil holes.

In fact, the circular motion of its pins allows to get a better soil compaction, in a more effective and homogeneous way. The result is excellent, with uniform and compact soil holes, that hardly crumble during next handling.

The plate with pins is custom made, according to customer's needs. Maximum dibbling depth of 60 mm, adjustable through a practical crank. In addition, thanks to its conveyor belt system, the NPR can also be used as a single machine or fitted in a working line, with fixed (standard) or variable (accessory) advancement speed belt.



TECHNICAL DATA	M.U.	NPR
HOURLY PRODUCTION (max)	containers/hour	600
CONTAINERS DIMENSIONS (max)	mm	600 x 400
CONTAINERS HEIGHT (max)	mm	200
DIBBLING DEPTH (max)	mm	60
BELT LENGHT (standard)	mm	2300
PINS EACH PLATE (max)	n	98
INSTALLED POWER	kW	1