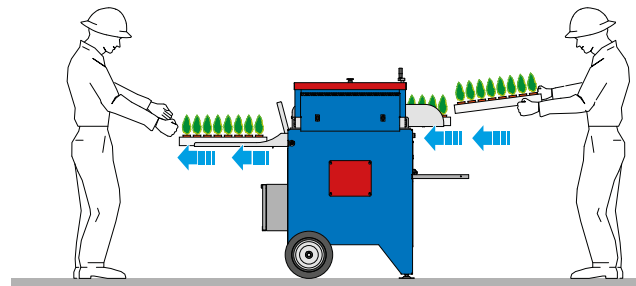
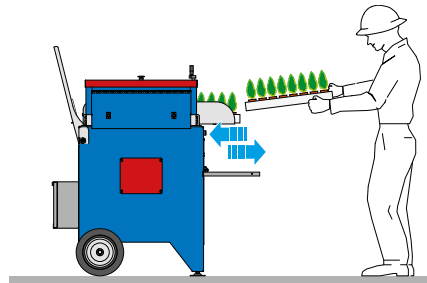


ACCESSORIES

- **Plates** with plug.
- **Support counterplate** for light or thermoformed trays.
- **Second upperblade** of tray stop.
- Front swivel **wheels kit**.



Trays with extracted **fennel young plants**.

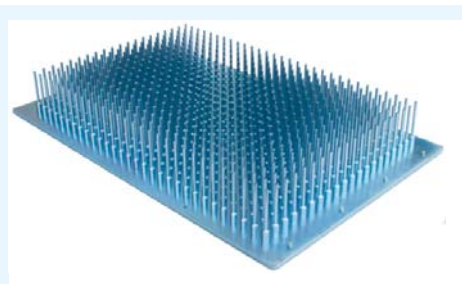
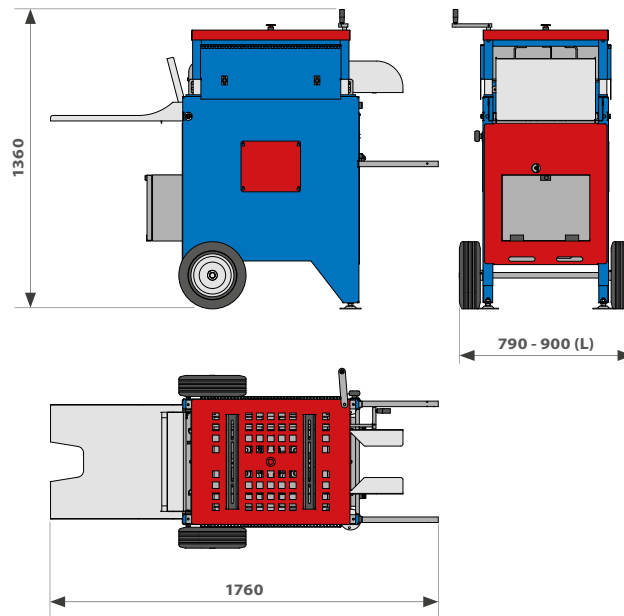


Plate with plug.



MACHINE DESCRIPTION

The ESTREL electromechanical plug depopper is able to extract the plants from the trays with electric current functioning.

TECHNICAL SPECIFICATIONS

- Adjustment of plug insertion height for an easy adaptation to different kinds of plants and trays.
- One or two operators can work on the machine.

TECHNICAL DATA	M.U.	ESTREL	ESTREL L
HOURLY PRODUCTION (max)	trays/hour	700	700
TRAYS DIMENSIONS (max)	mm	650x400	750x500
TRAYS HEIGHT (max)	mm	100	100
WEIGHT	kg	230	250
INSTALLED POWER	kW	1,3	1,3
PUSHING POWER	kg	500	500



ESTREL

ELECTROMECHANICAL PLUG DEPOPPER - up to 700 trays/hour



URBINATI