



MACHINE DESCRIPTION

The ESTREPN pneumatic plug depopper is able to extract the plants from the trays with compressed air functioning.

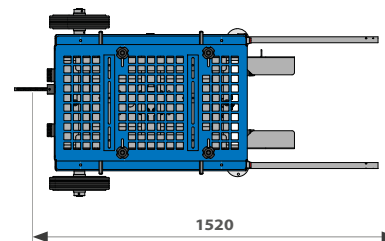
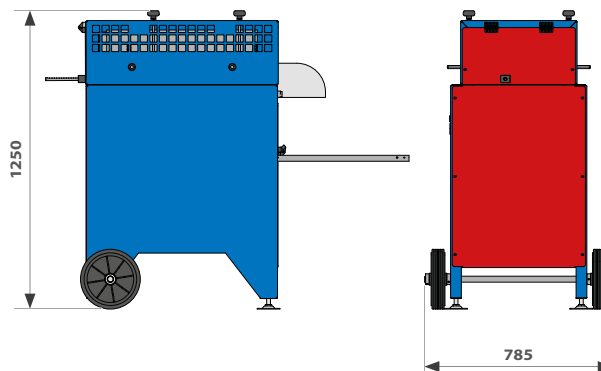
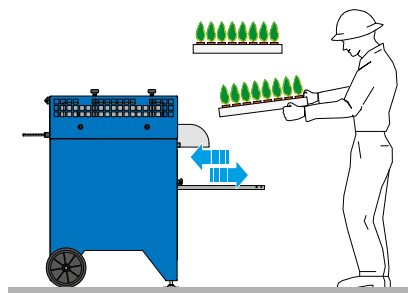
TECHNICAL SPECIFICATIONS

- Adjustment of plug insertion height for an easy adaptation to different kinds of plants and trays.

| TECHNICAL DATA | M.U. | ESTREPN | ESTREPN L |
|-------------------------|------------|---------|-----------|
| HOURLY PRODUCTION (max) | trays/hour | 500 | 500 |
| TRAYS DIMENSIONS (max) | mm | 650x400 | 750x500 |
| TRAYS HEIGHT (max) | mm | 100 | 100 |
| WEIGHT | kg | 145 | 145 |
| AIR CONSUMPTION (max) | l/min | 75 | 75 |
| PUSHING POWER | kg | 400 | 400 |

ACCESSORIES

- **Plates** with plug.
- **Support counterplate** for light or thermoformed trays.
- Up and down **hydro-pneumatic adjuster**.
- **Second upperblade** of tray stop.
- Front swivel **wheels kit**.
- **Forestry version**.



VARIANT FORESTRY



Young small plants of **Coniferae** during the extraction.